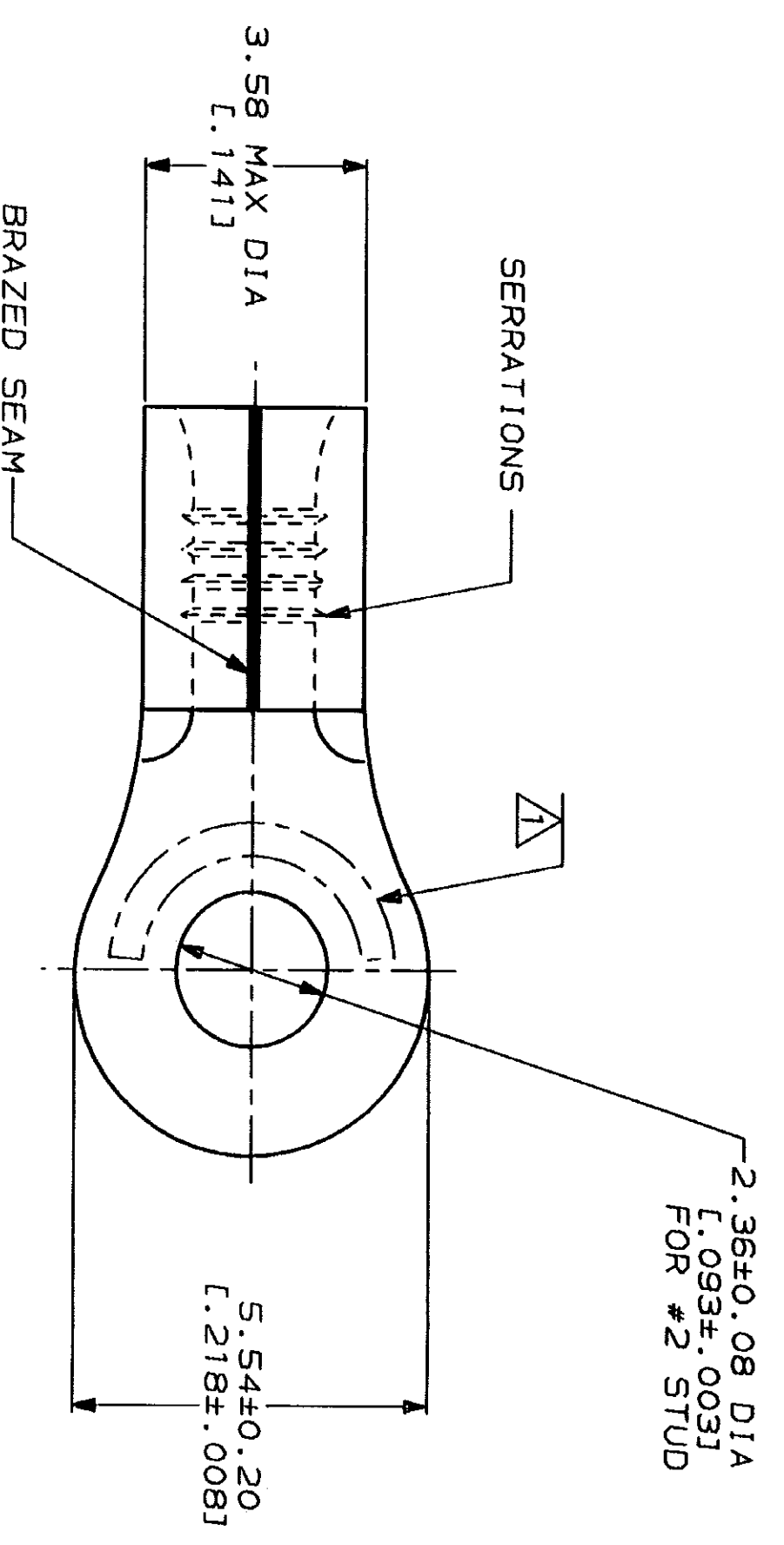
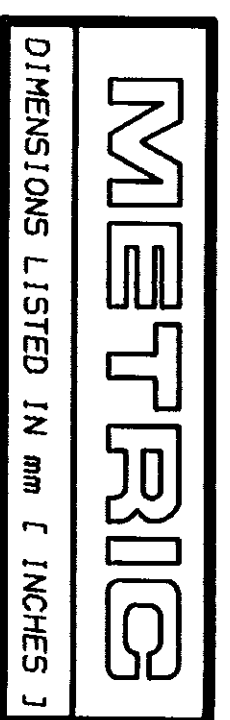
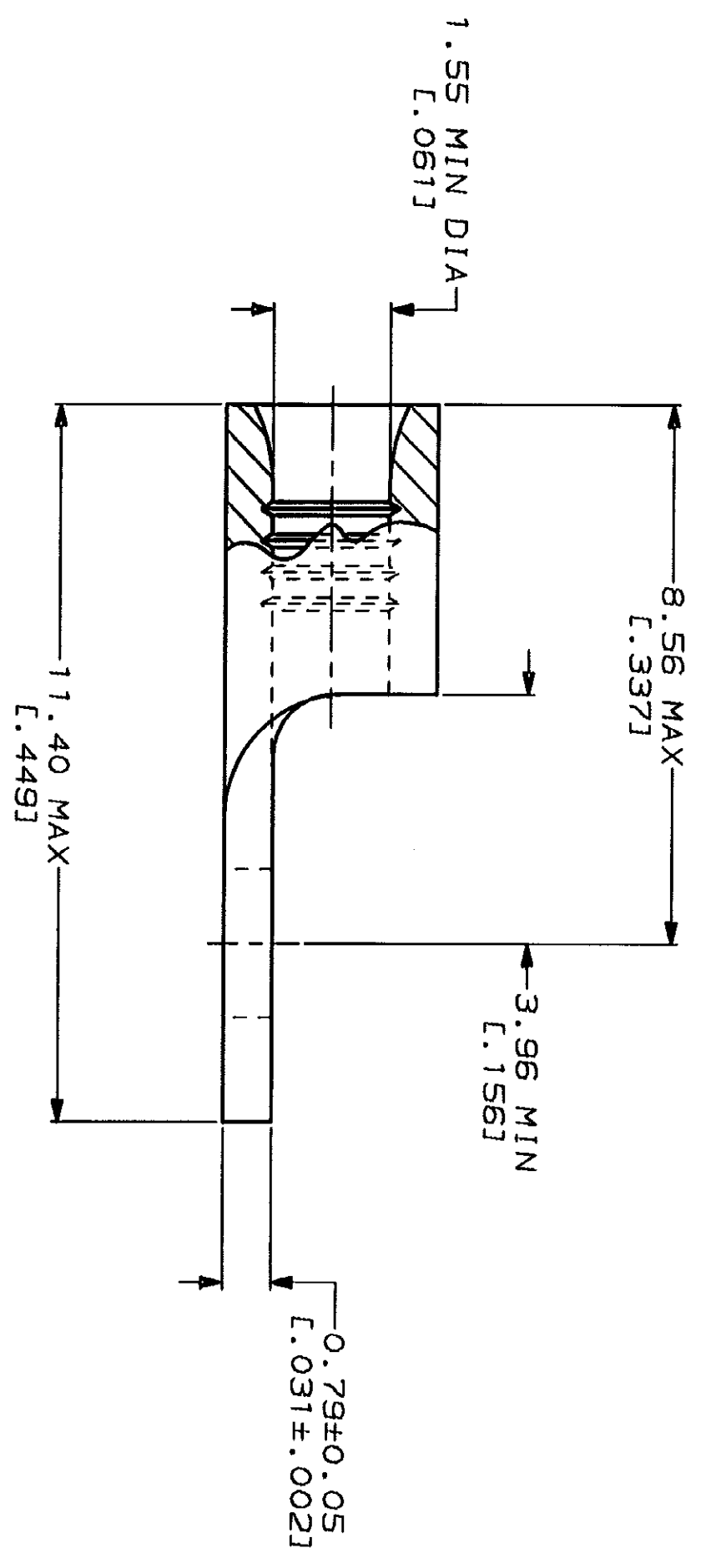


LOC	DIST	REV	DESCRIPTION	DATE	APP'D
G	14	P	REV 8 REDRAWN PER 0720-0040-93	3-9-93	JB DAP



AMP WIRE RANGE	UL E13288 Listed
22-16 AWG SOLID OR STRANDED	22-16 AWG SOLID OR STRANDED
LR7189 Certified	MILITARY P/N AND CLASS
22-16 AWG SOLID OR STRANDED	M7928/7-1 CLASS 2 PN'S 34103 & 2-34103-1

△ STAMP AMP 22-18* APPROX AS SHOWN
 22-16 TERMINALS ARE STAMPED 22-18 IN
 ACCORDANCE WITH MILITARY SPECIFICATION
 MIL-T-7928; COMMERCIAL WIRE RANGE IS 22-16



**AMP INCORPORATED
 CUSTOMER SERVICE SYSTEMS**

FOR ADDITIONAL PRODUCT INFORMATION OR COPIES OF DRAWINGS AND TECHNICAL DOCUMENTS	PRODUCT INFORMATION CENTER 1-800-522-6752
FOR APPLICATION TOOLING INFORMATION	TOOLING ASSISTANCE CENTER 1-800-722-1111
FOR ORDER ENTRY	1-800-526-5142

MAX RECOMMENDED OPERATING TEMPERATURE:	170°C MAX
VOLTAGE RATING:	NOT APPLICABLE
WIRE CROSS SECTIONAL AREA RANGE: SOLID OR STRANDED	0.26-1.65mm ² [509-3,260] CIR MILS

DO NOT SCALE PRINT.
 UNLESS SPECIFIED
 DIMENSIONS IN mm [INCHES]
 TOLERANCES ON:
 1 PLG DEC ± .005
 2 PLG DEC ± .002
 3 PLG DEC ± .001
 ANGLES
 MATERIAL
 COPPER PER
 ASTM B-152
 ANNEALED

DR 1-27-93 TA BRINKMAN
CHK 1-27-93 DA PATTERSON
APPD 1-27-93 DE MILLER
APPD 1-27-93 JL MECKLEY
PRODUCT SPEC
APPLICATION SPEC
WEIGHT

NAME	AMP Incorporated Harrisburg, PA 17105-3608
TERMINAL, RING TONGUE, SOLISTRAND™	

QUANTITY	5000	ON TAPE	2-34103-1
		LOOSE PIECE	34103
		PACKAGING TYPE	
		PART NO	

FINISH	TIN PLATE
SCALE	10:1
CAGE CODE	00779
DRAWING NO	34103
SHEET	1 OF 1